

Slope	Maximum Rise		Maximum Horizontal Projection	
	in	mm	ft	m
1:12 to <1:16	30	760	30	9
1:16 to <1:20	30	760	40	12

Fig. 16
Components Of A Single Ramp And Sample Ramp Dimensions

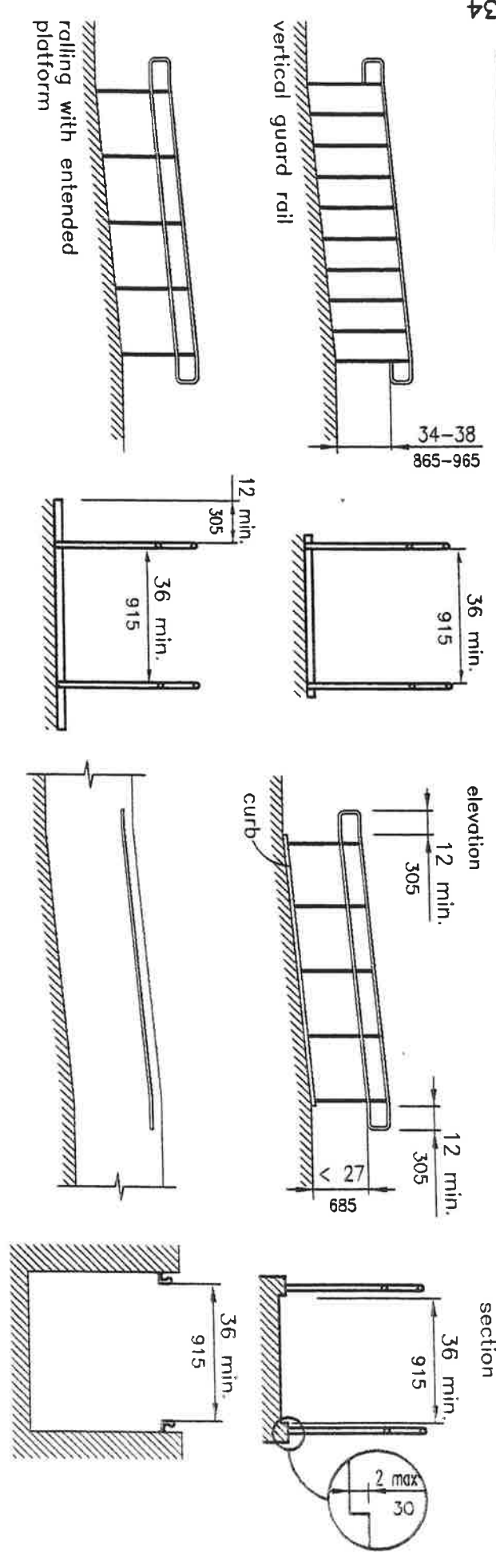


Fig. 17
Examples of Edge Protection and Handrail Extensions